

CEM-24-SUPER



Programmable thermostat with telephone and voice options.

General

The CEM-24-SUPER thermostat is the latest in room control technology and is ideal for residential and commercial applications.

With built-in telephone communication capabilities, the CEM-24-SUPER can be called from a remote location and settings such as mode, set point, etc. can be adjusted as needed.

This offers the user peace of mind as never before, making the CEM-24-SUPER indispensable to everyone!

Features

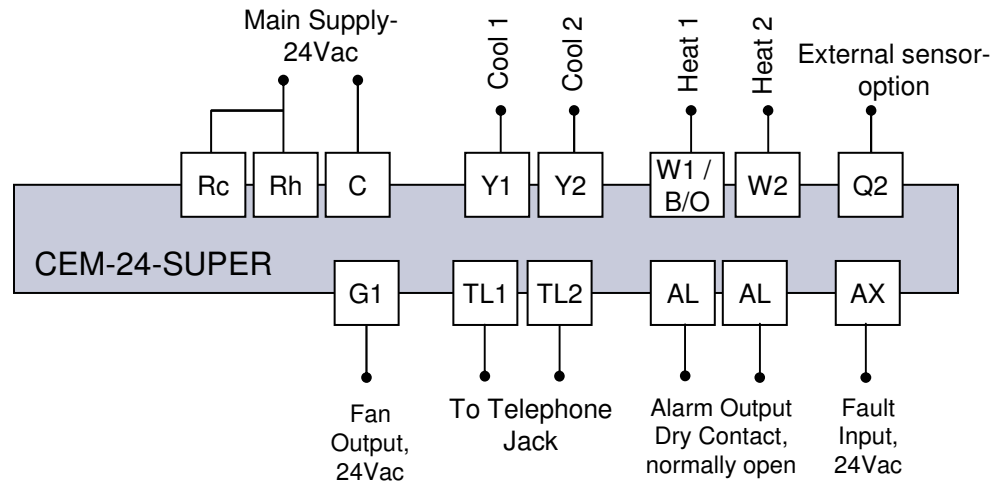
- Main supply- 24Vac.
- Telephone communication- check or set mode and temperature from a remote location by calling thermostat
- Selectable system configuration- Heat/Cool or Heat Pump
- Up to 2 stages of Heat and 2 stages of Cool
- Selectable Heat output- Electric or Oil/Gas (jumper selectable)
- External sensor- option
- Alarm indication output
- Fault input, 24Vac
- 5-1-1 weekly program
- Economy mode (set-back/unoccupied mode)

Models

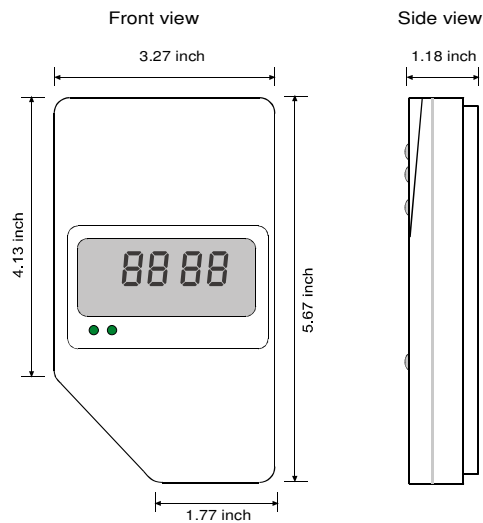
Model	Cool	Heat	Speeds
CEM 24-HC11	1	1	1
CEM 24-HC22	2	2	1
CEM 24-HP21	1	2	1
CEM-24-SUPER (all in one-HC11, HC22, HP21)	1 or 2	1 or 2	1

* All models available in either °C or °F

Electrical Diagram



Dimensions



Specifications

Temperature Range	45°F -95°F, 5°F -35°C
Weight	0.55 lbs
Scale	°F, °C
Color	White
Accuracy	±1.5°F
Plastic	PC/ABS
Flammability	UL94V-0
Temperature Input	Thermistor 50K@77°F

Accessories

Part Number	Description
TS01	Temperature Sensor - 80 cm Cable
RS01	Temperature Sensor into decorative box
RS02	Average Temperature Sensor into decorative box
WP2	Decorative Plastic Back Plate
WP3	Decorative Plastic Back Plate - Wide