

CHU24... Combined Temperature & Humidity Controller



24 Vac Combined Temperature & Humidity Programmable Controller with Integral Sensors.

De-Humidity function incorporates Over-ride Heat Logic for enhanced accuracy & end user comfort

Features

- 24 Vac
- Surface Mount
- Ranges:
 - 0 – 30 °C & 10 – 90 % Rh.
- 2 x Stages Heat & 2 x Stages Cool
- Humidity Output - Switched or 0-10 Vdc
- De humidity Controlled via. Cooling Stage
- Heat over ride function in De-um Operation.
- Integral Temp. & Rh. Sensors
- Use with following styles of Heating:
 - Electric Resistance
 - Boiler / Hydronic
 - Heat pump.

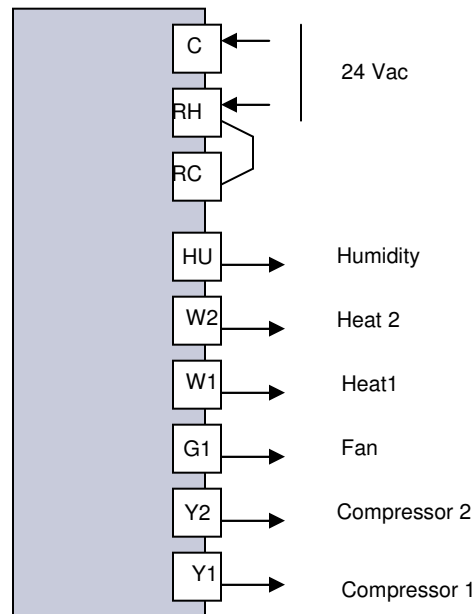
Features

- Display / Adjustments
 - On / Off
 - Clock - Programme
 - Setpoint & Ambient Temp.
 - Setpoint & Ambient Rh.
- Modes:
 - Heat – Cool, Auto Heat – Cool
 - Auto Humidity - Dehumidify
 - Fan only
- Programme:
 - Mon. to Fri. + Sat. + Sun.
 - 4 x time periods per. 24 hrs.
 - Individual Temp. & Rh.
 - Setpoints/period

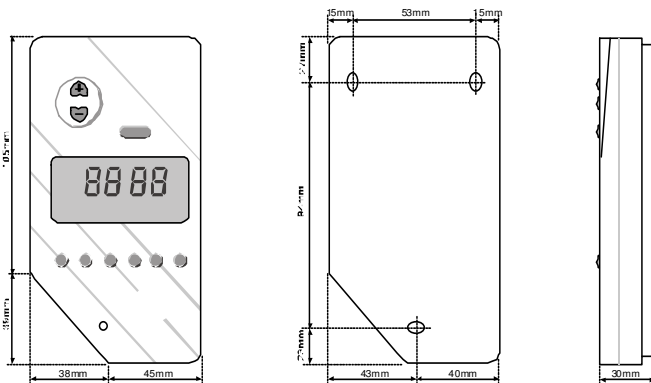
Model

Model	No. Cool Stages	No. Heat Stages	No. Hum. Stages	D-Hum Stages	Fan Speeds	Sensors	Elect. Ratings Amps@24Vac
CHU24-HC22	2	2	1	1	1	1	2

Electrical Diagram



Dimensions



Specifications

Temperature Range	10°C ÷ 30°C
Weight	0.25 Kg
Scale	°C
Color	White
Accuracy	1°C
Plastic	PC/ABS
Flammability	UL94V-0
Temperature Input	50K@25°C

Accessories

Part Number	Description
WP2	Decorative Plastic Back Plate
WP3	Decorative Plastic Back Plate - Wide