

Series ERT2124... 24 Vac Universal, Programmable Temperature Controller



With a Weekly Programme it is ideal for many HVAC Applications, including Heat Pump Applications.

General

The ERT2124... Controller is a very attractive unit being complete with a weekly programme, economy mode and many more features.

This quality specification together with its easy to read display means it is ideal for HVAC applications, including heat pump, especially in the commercial and residential fields.

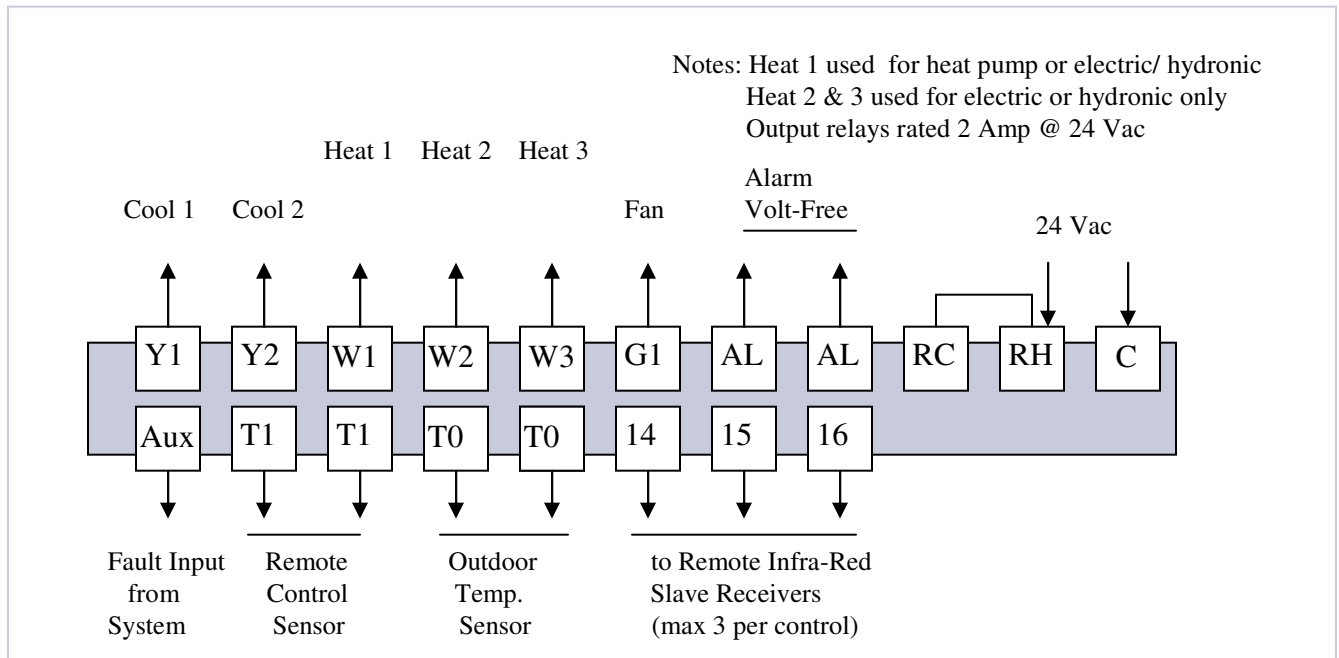
Features

- 24 Vac
- Range 10 – 30 °C
- LCD Display of:
 - Temp. – Ambient & Setpoint
 - On / Off – Fan Speed
- Weekly Programme – 2 Start/Stop periods/day- Mon to Fri + Sat. + Sun.
- Modes: Heat-Cool / Auto Heat / Cool Fan Only – Auto Fan
- Economy
- Time delay on Cooling
- Remote sensor option
- Volt-Free Alarm output
- Temp. Alarm Limits – lockable
- Infra-Red Option
- Plus many other features.

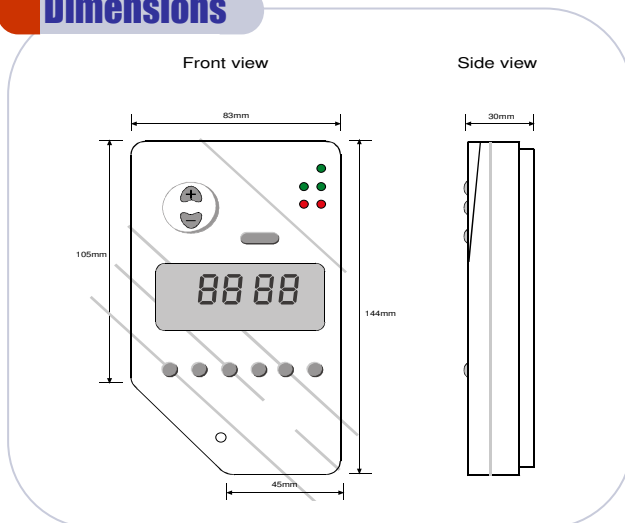
Models

Model	Cooling Stages	Heat-Pump Stages	Electric Heat Stages	Diffs °C	Fan Speeds
ERT2124	1	1	--	+/-0.6	1
ERT2124/2	2	2	--	+/-0.6	1
ERT2124/H2	2	--	2	+/-0.6	1
ERT2124/1H1	1	1	1	+/-0.6	1
ERT2124/2H2	2	2	2	+/-0.6	1

Indicative Electrical Diagram



Dimensions



Specifications

Temperature Range	10° - 30°C
Weight	0.25 Kg.
Scale	°C/°F
Color	White
Accuracy	±1°C
Plastic	PC/ABS
Flammability	UL94V-0
Temperature Input	Thermistor 50K@25°C

Accessories

Part Number	Description
TS01	Temperature Sensor - 80 cm Cable
RS01	Temperature Sensor - Room
RS02	Average Temperature Sensor - Room
WP2	Decorative Back Plate