

Series ERT50-90... 230 Vac Room Mount – Multi Stage - Controllers



General Purpose Controller – also suitable for Heat Pump Applications

General

The Series ERT50-90... 230 Vac Multi-stage Room Thermostats & Controllers are well suited to most HVAC light commercial , residential or apartment applications including those utilising heat pumps.

Attractive ivory coloured , they are available with the option of an LCD Display.

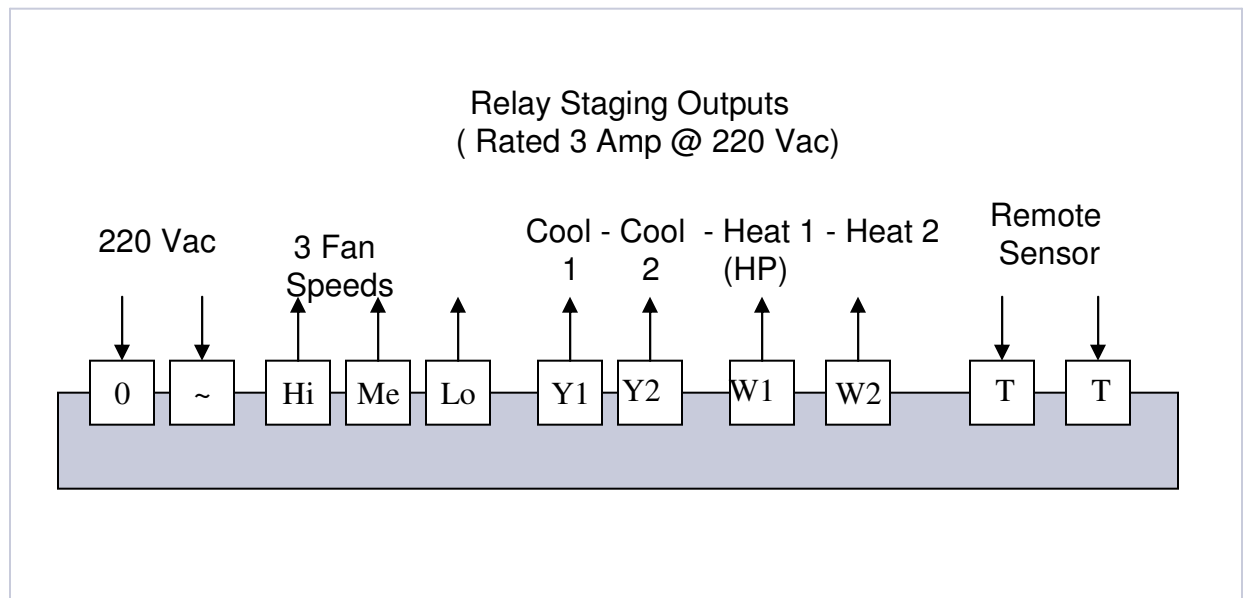
Features

- 230 Vac Range 10 – 30 °C
- Also suitable for Heat Pump applications
- Manual or Automatic Heat/Cool Selection
- Integral or Remote Sensor
- Indicating Led's
- 4 Minute Time Delay on Cooling
- Up-to- 2 Cool and 2 Heat Stages
- Slider Style Selection Switches
- LCD Display option

Models

Model	Clg. Stgs.	Heat Pump Stgs	Electric Heat Stgs	Man. Op	Auto Op	Diff °C	D/Band °C	Fan Speed
ERT50	1	1	-	*	-	+/-0.5	-	3
ERT51	1	-	1	*	-	+/-0.5	-	3
ERT70	1	1	-		*	+/-0.5	-	3
ERT71	1	-	1		*	+/_0.5	-	3
ERT81	1	-	1		*	+/_0.5	-	1
ERT90	2	2	-		*	+/-0.5	+/_1.0	1
ERT91	2	-	2		*	+/-0.5	+/-1.0	1

Electrical Diagram – Representative of all Models in the Series



Dimensions

125mm x Wide x 75mm x High x 30mm Deep

Specifications

Temperature Range	10° - 30°C
Weight	0.125 Kg
Scale	°C
Color	White
Accuracy	±1°C
Plastic	PC/ABS
Flammability	UL94V-0
Temperature Input	Thermistor 50K@25°C

Accessories

Part Number	Description
TS01	Temperature Sensor - 80 cm Cable
RS01	Temperature Sensor - Room
RS02	Average Temperature Sensor - Room
WP1	Decorative Back Plate