

ETN24P/PH... Proportional Output (0–10 Vdc) Controllers



24 Vac Surface Mount Controller with one or two Proportional 0-10Vdc outputs - with option of Relay Switched Heater output and single – 3 Speed Fan outputs.

Remote Infra-red option

General

The ETN24P / PH... are fully featured and stylish proportional controllers that are well suited to light commercial, residential or apartment applications.

Attractive, surface mounting, with large, easy to read, display.

Remote Infra-Red Control is an option

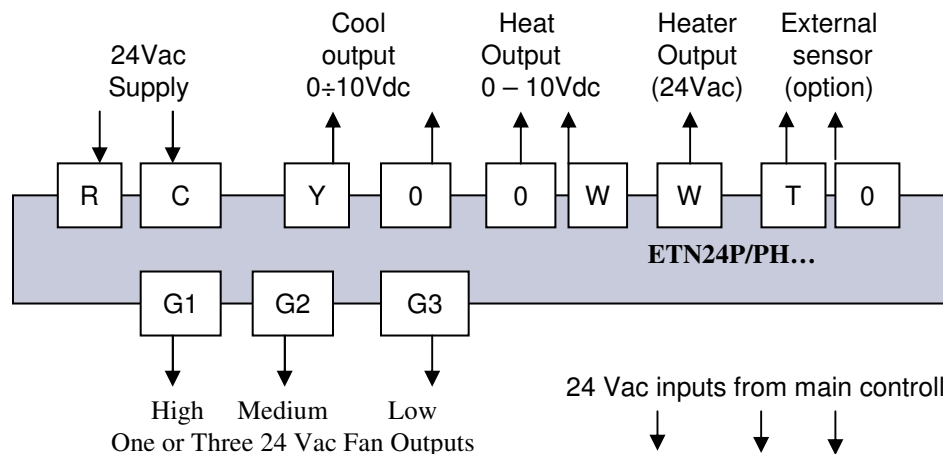
Features

- Range 10-30 °C
- Proportional and Integral output for cool or heat or automatic heat/cool (0-10Vdc or 2-10Vdc).
- Adj. Prop Band & Deadband 2 to 10 °C
- Heat output (Relay) – 24Vac.- Option
- Single or 3 Speed fan – 24Vac.
- External sensor – option.
- Auto fan selectable.
- Set point limits – password protected.
- Remote Infra-Red Control Option

Models

Model Number	0 -10 Vdc Outputs	24 Vac Switched Heat Output	Fan Speeds	Remote Sensor
ETN24PD	Cool or Heat	-	1	*
ETN24PD3	Cool or Heat	-	3	*
ETN24P	Cool & Heat	-	1	*
ETN24P3	Cool & Heat	-	3	*
ETN24PH	Cool	*	1	*

Electrical Diagram showing Options for Various Models Available

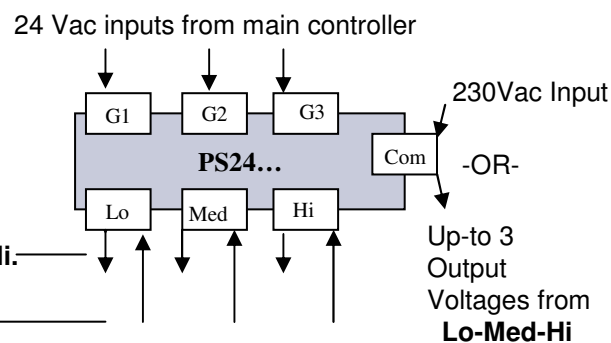


PS24 Optional 24 to 230Vac Conversion PCB

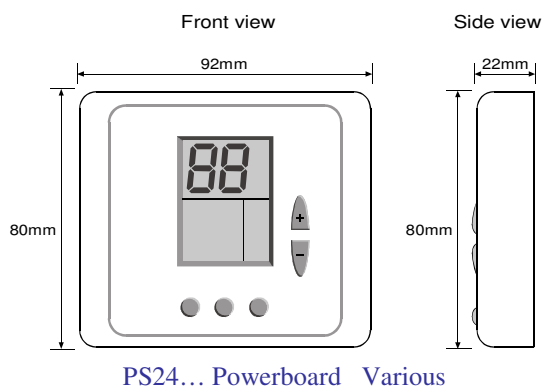
This offers two fan output options:

230 Vac from **Com** is switched to fan via **Lo – Med – Hi.**

Separate voltages, from multi-tapped trans., fed into **Lo – Med – Hi.** Are switched to fan via **Com**



Dimensions



Specifications

Temperature Range	10°C ÷ 30°C
Weight ETN...	125Kg PS24 Various
Scale	°C
Color	White
Accuracy	±1°C
Plastic	PC/ABS
Flammability	UL94V-0
Temperature Input	50K@25°C

Accessories

Part Number	Description
TS01	Temperature Sensor - 80 cm Cable
RS01	Temperature Sensor into decorative box
RS02	Average Temperature Sensor into decorative box
RS03	Room Temperature Sensor ±3°C
WP4	Decorative Back Plate for ETN