

ETN24PM/PMH... Proportional Output (3 – Wire) Controllers



24Vac Surface Mount Controller with one or two Proportional 3-Wire outputs-with option of Relay Switched Heater output and single - 3 Speed Fan outputs
Remote Infra-Red option

General

The ETN24PM /PMH... are fully featured and stylish proportional controllers, well suited to light commercial, residential or apartment applications.

Ideal for 4 pipe fan coils as well as many other HVAC applications. Attractive, surface mounting, with large easy to read , display. Remote Infra-Red Control is an option

Features

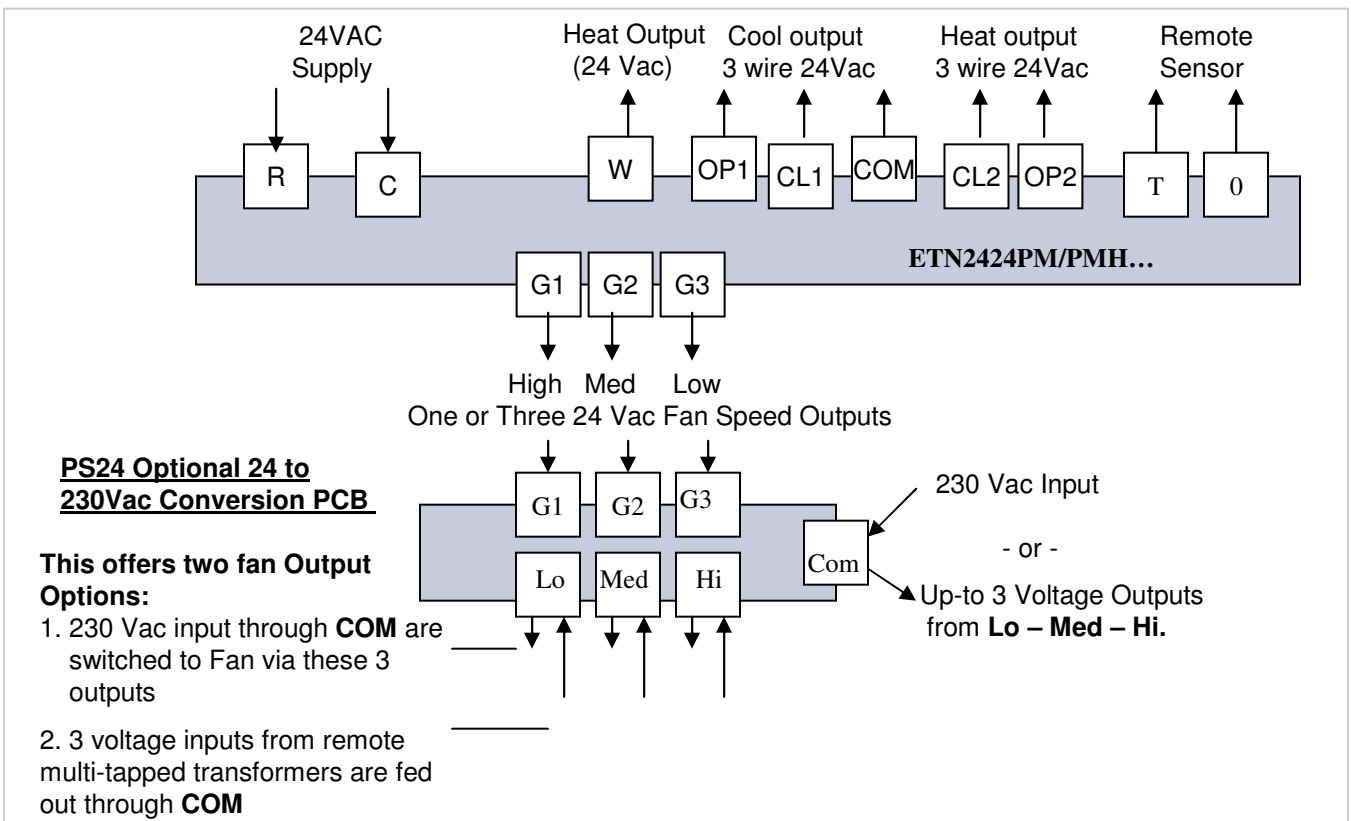
- Range 10-30° C
- Proportional and Integral outputs for cool or heat or automatic heat/cool (3 – Wire)
- Adjustable Open/Close run time for motor (60 to 400 seconds)
- Heat output (Relay) – 24 Vac - Option
- Single or 2 Speed fan – 24 Vac
- External sensor -Option
- Auto speed & Auto- fan selectable
- Auto fan selectable
- Remote Infra-Red Control Option

Models

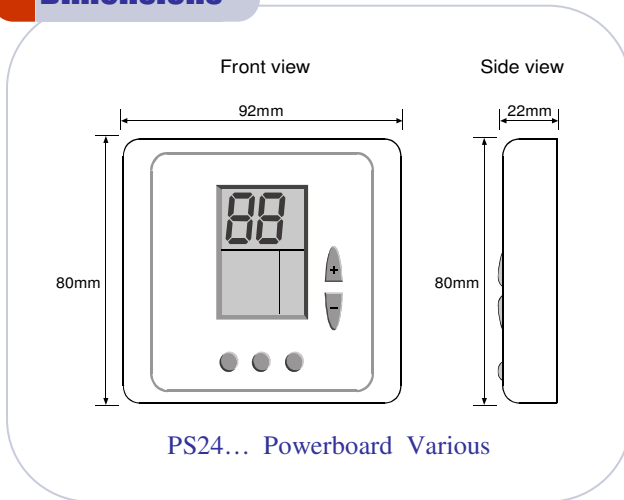
Model Number	3- Wire Outputs	24Vac Switched Heat output	Fan Speeds	Remote Sensor
ETN24PM	Cool or Heat	-	1	*
ETN24PM3	Cool or Heat	-	3	*
ETN24PM2	Cool & Heat	-	1	*
ETN24PM2/3	Cool & Heat	-	3	*
ETN24PMH	Cool	*	1	*

Other Non-Standard Models available - Contact office for details

Electrical Diagram showing Options for Various Models Available



Dimensions



Specifications

Temperature Range	10° - 30°C
Weight	ETN24 0.125 Kg , ps24 VARIOUS
Scale	°C/ °F
Color	White
Accuracy	±1 °C/ ±2 °F
Plastic	PC/ABS
Flammability	UL94V-0
Temperature Input	Thermistor 50K@25°C

Accessories

Part Number	Description
WP4	Decorative Back Plate for ETN