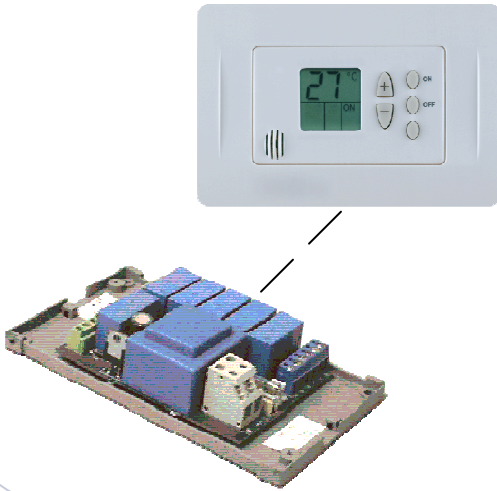


Series: FMH12P... / PS50... 12Vdc / 230Vac Proportional Output (0-10 Vdc) Controllers



Comprise a 230Vac Output Switching PS50 ... Powerboard with one or two 0-10 Vdc Proportional Outputs plus Switched Outputs for Fans 7 other Functions etc. Connected by a 12 Vdc Multi-Core Cable to the FMH12P... Flush Mount Room Interface.

General

The combination of PS50... Powerboard and FMH12P... Flush Mount Room Interface Unit offers many differing Control Options of:
Up – to - 2 x 0-10 Vdc Proportional Outputs.
Up – to - 3 x Switched Heat, Cool or Fan Speed Outputs

The FMH12P... is a very attractive unit with an easy to read display, that lends itself to many HVAC applications especially in commercial and residential fields.

Its Ivory colouring makes it especially attractive and allows it to blend with almost any décor.

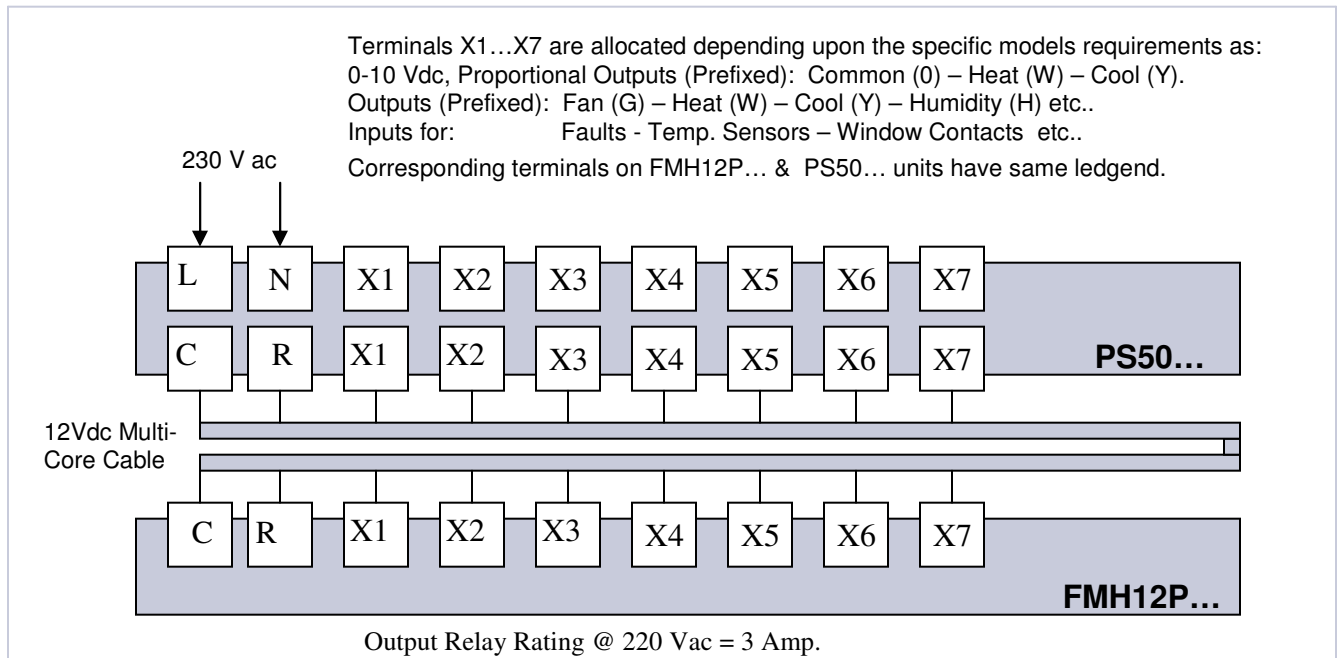
Features

- 230 Vac Power & Switched Outputs
 - Range 10 – 30 °C
 - LCD Display of:
 - Temp. – Ambient & Setpoint
 - On / Off – Fan Speed
 - Modes: Heat-Cool / Auto Heat / Cool
Fan Only – Auto Fan
 - Proportional Band Adjustment 2 -10 °C
 - Offset Temperature reading adjustment
 - Options include:
 - External Temp. Sensors
 - Fault Inputs
 - Window Contacts
 - Infra-Red
 - Weekly Programme
- etc....

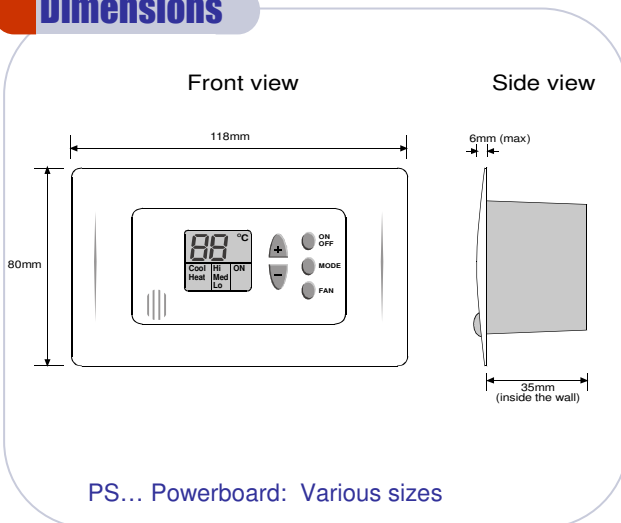
Models

With the technical flexibility this control package offers it is not possible to enumerate all the existing and potential control combinations that can be made available. However, consideration of the Indicative Electrical Diagram shown on Page 2 will give an insight to what can be made available.

Indicative Electrical Diagram



Dimensions



Specifications

Temperature Range	10° - 30°C
Weight FMH12P...	0.200 Kg : PS50... Various
Scale	°C
Color	White
Accuracy	±1 °C
Plastic	PC/ABS
Flammability	UL94V-0
Temperature Input	Thermistor 50K@25 °C

Accessories

Part Number	Description
TS01	Temperature Sensor - 80 cm Cable
RS01	Temperature Sensor - Room
RS02	Average Temperature Sensor - Room
WP1	Decorative Back Plate