

## FMHP/PH... Proportional Output (0–10 Vdc) Controllers



**24 Vac Flush Mount Controller with one or two Proportional 0-10Vdc outputs - with option of Relay switched Heater output and single – 3 Speed Fan outputs. Remote Infra-red option**

### General

**The FMH24P / PH... are fully featured and stylish proportional controllers that are well suited to light commercial, residential or apartment applications.**

**Attractive, surface mounting, with large, easy to read, display.**

**Remote Infra-Red Control is an option**

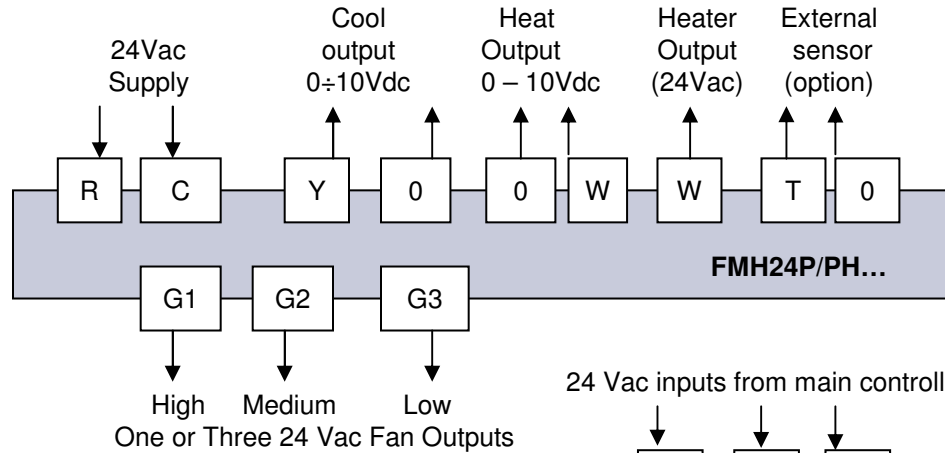
### Features

- Range 10-30° C
- Proportional and Integral output for cool or heat or automatic heat/cool (0-10Vdc or 2-10Vdc).
- Adj. Prop Band & Deadband 2 to 10°C
- Heat output (Relay) – 24Vac.- Option
- Single or 3 Speed Fan – 24Vac.
- External sensor – option.
- Auto fan selectable.
- Set point limits – password protected.
- Remote Infra-Red Control Option

### Models

Model Number	0 -10 Vdc Outputs	24 Vac Switched Heat Output	Fan Speeds	Remote Sensor
FMH24PD	Cool or Heat	-	1	*
FMH24PD3	Cool or Heat	-	3	*
FMH24P	Cool & Heat	-	1	*
FMH24P3	Cool & Heat	-	3	*
FMH24PH	Cool	*	1	*

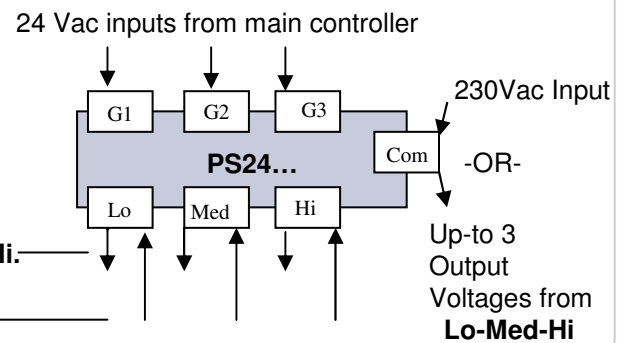
### Electrical Diagram showing Options for Various Models Available



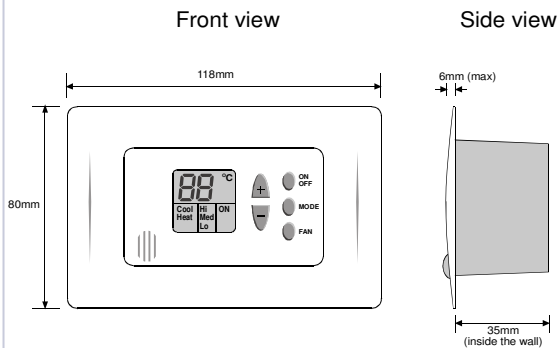
#### PS24 Optional 24 to 230Vac Conversion PCB

This offers two fan output options:

230 Vac from **Com** is switched to fan via **Lo – Med – Hi.**  
 Separate voltages, from multi-tapped trans., fed into **Lo – Med – Hi.** Are switched to fan via **Com**



### Dimensions



Powerboard – Variousps24...

### Specifications

Temperature Range	10°C ÷ 30°C
Weight	FMH... 0.200 Kg ps24 vARIOUS
Scale	°C
Color	White
Accuracy	±1°C
Plastic	PC/ABS
Flammability	UL94V-0
Temperature Input	50K@25°C

### Accessories

Part Number	Description
TS01	Temperature Sensor - 80 cm Cable
RS01	Temperature Sensor into decorative box
RS02	Average Temperature Sensor into decorative box
RS03	Room Temperature Sensor ±3°C
GEWISS	Electrical back Box