

FMH220-H1-FL



Horizontal flush mount thermostat
220Vac, for Heat element.

General

The FMH220-H1-FL thermostat is a latest in room heating control technology, featured and stylish thermostat that is well suited to light commercial, residential or apartment applications.

The FMH220-H1-FL thermostat has been designed to use on Heat systems. Very attractive, flush mounted thermostat – 220VAC, with large, easy to read, display.

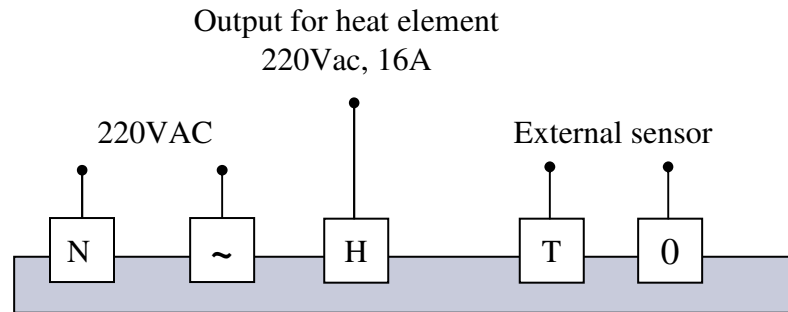
Features

- Main supply – 220Vac
- Heat output – 220Vac, 16A
- Horizontal flush mount thermostat
- Internal temperature sensor
- External temperature sensor - option
- Offset – for temperature reading adjustment

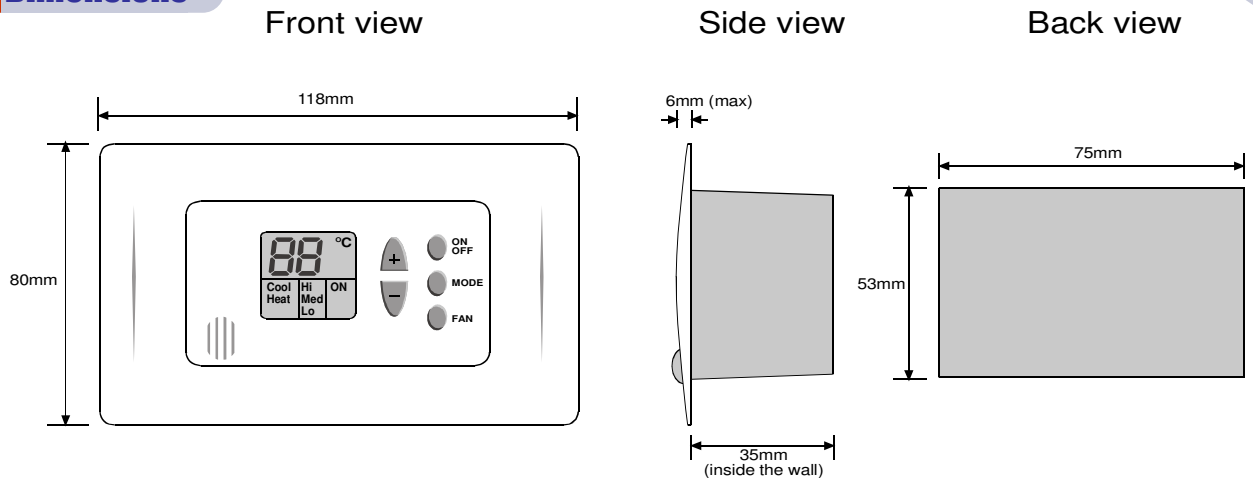
Models

Model	Heat Element	Speeds
FMH220-H1-FL	1	1

Electrical Diagram



Dimensions



Specifications

Temperature Range	10° - 30°C	Accuracy	±1 °C
Weight	0.200 Kg	Plastic	PC/ABS
Scale	°C	Flammability	UL94V-0
Color	White	Temperature Input	Thermistor 50K@25°C

Accessories

TS01	Temperature Sensor - 80 cm Cable
TS02	Temperature Sensor – 1.80 m Cable
RS01	Temperature Sensor into decorative box
RS02	Average Temperature Sensor into decorative box
GEWISS BOX	Plastic box for FMH220-H1-FL