

FMT-220-H1-FL-PROG



Vertical, flush-mount thermostat, 220Vac, for floor heating element, with weekly program.

General

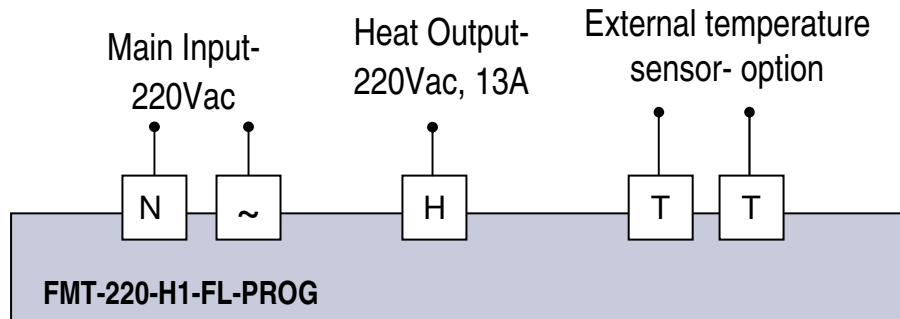
The FMT-220-H1-FL-PROG thermostat for floor heating elements is perfectly suited for commercial or residential applications.

The FMT-220-H1-FL-PROG thermostat has been specifically designed for FLOOR HEATING systems. It is a very attractive, flush-mount thermostat, with a large, easy to read, display.

Features

- Main supply – 220Vac
- 13 Amp Output Switching
- Flush-mount thermostat
- Output for HEAT element- 220Vac
- Selectable display – T.ambient **and** Tset or Tset **only**- selectable on Dip Switch
- External temperature sensor- option
- Weekly program (5+1+1)
- Offset – for temperature reading adjustment

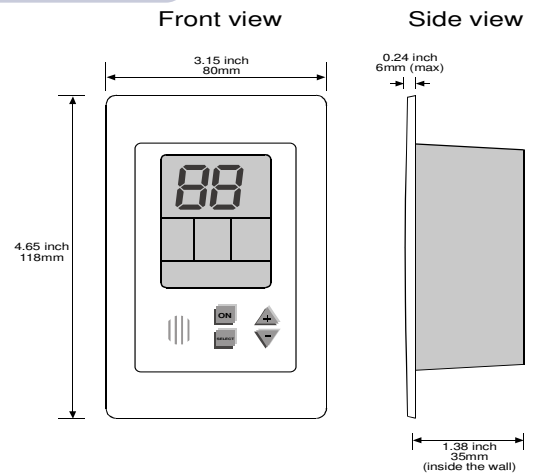
Electrical Diagram



Specifications

| | |
|-------------------|---------------------|
| Temperature Range | 10° - 35°C |
| Weight | 0.180 Kg |
| Scale | °C |
| Color | White |
| Accuracy | ±1 °C |
| Plastic | PC/ABS |
| Flammability | UL94V-0 |
| Temperature Input | Thermistor 50K@25°C |

Dimensions



Accessories

| Part Number | Description |
|-------------|--|
| TS01 | Temperature Sensor - 80 cm Cable |
| RS01 | Temperature Sensor into decorative box |
| RS02 | Average Temperature Sensor into decorative box |
| GEWISS BOX | Plastic box for FMH-220-H1-FL-PROG |

The manufacturer reserves the right to make changes without prior notice