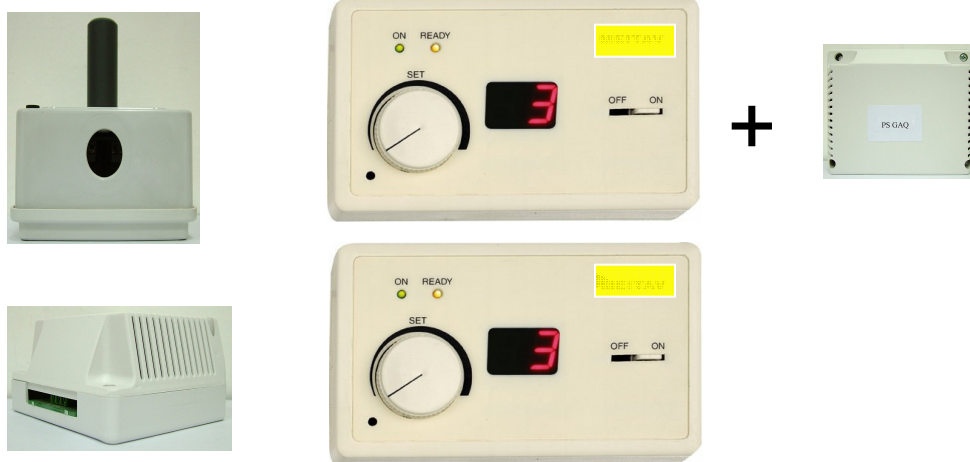


GAQ – Air Quality Controller and Sensor Series



Air Quality Controllers and Sensors – Surface Mount 24Vac or 220VAc controllers, Room or Duct sensors.

General

The GAQ series are Air Quality Sensors and Controllers. Automatically reacts to the depletion of air quality, sensing tobacco smoke, smells and toilet odours to regulate mechanically ventilated areas such as cinemas, pubs, clubs, restaurants, kitchens, toilets and conference rooms. The sensor switches the fan On when the air quality declines below an adjustable preset level. This is registered by the sensing head which is self-cleaning, a process which occurs every time the unit is triggered. When the atmosphere has returned to normal, the fan will switch Off.

The air quality sensor should not be used for the detection of combustible gases and is not designed for use as a smoke detector in an alarm system!

Features

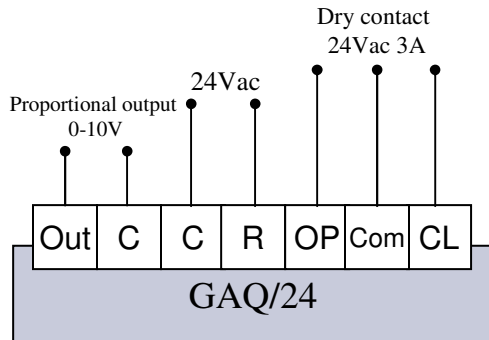
- Surface mount air quality controllers
- Main supply - 24Vac or 220Vac (with PS)
- Set point for Air Quality
- The controller has 2 outputs:
 - Proportional output 0-10Vdc for variable fan speed or BMS applications.
 - Dry contact for direct fan switching (on/off)
- Ind.Lights to show the current status of A.Q. controller (On/Off)
- Room or Duct air quality sensors
- Main supply - 24Vac or 10-30Vdc
- The sensor has proportional output 0-10Vdc

Models

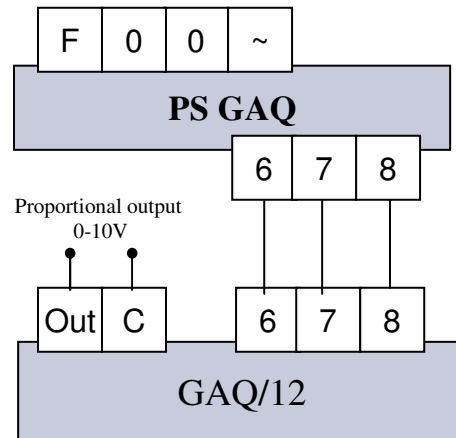
Model	Description
GAQ/24	Wall mount, main supply 24Vac air quality sensor and controller
GAQ/12 +PS-AQ	Wall mount 12Vdc, with power supply 220Vac air quality sensor and controller
GAQ/Room	Air quality sensor on decorative box.
GAQ/Duct	Duct Air quality sensor.

Electrical Diagram

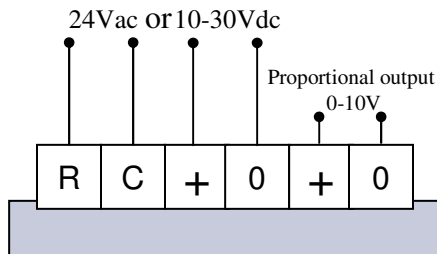
GAQ/24



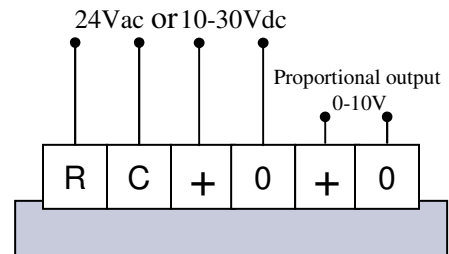
GAQ/12 + PS GAQ



GAQ/Duct

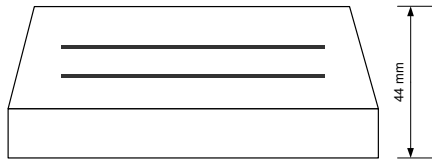


GAQ/Room

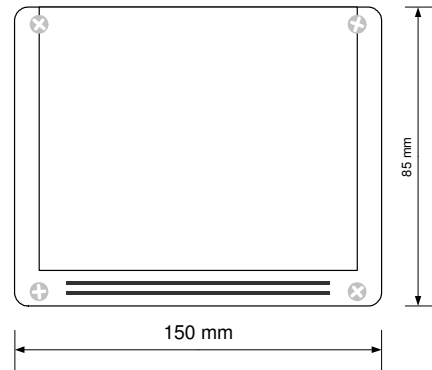


Dimensions

GAQ/ROOM and PS/GAQ

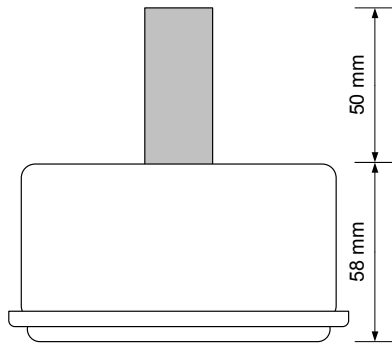


Side View

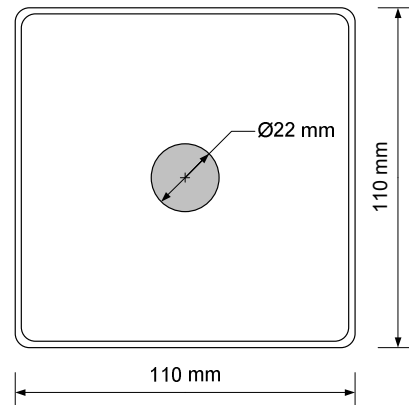


Front View

GAQ/DUCT



Side View



Front View

GAQ/24 and GAQ/12

