

## Series GHU/... Room & Duct Mount - Combined Temp. & Humidity Transmitters



Ideal for use in many:  
HVACR & Energy  
Management  
Applications

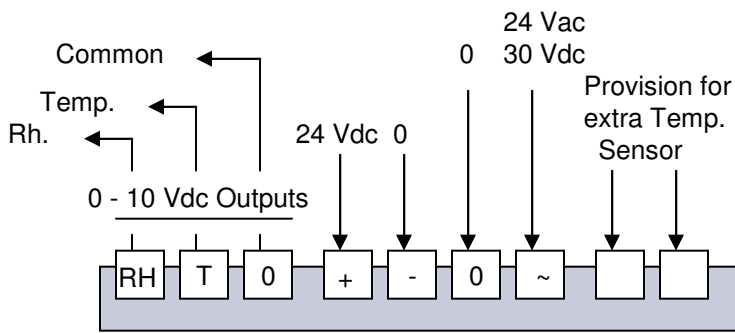
### Technical Specifications

- Rh. Sensor:  
Bulk Polymer  
Accuracy: +/- 3 % Rh.  
Range: 5-99 % Rh.  
Stability: < 2% per. Year
- Temperature Sensor:  
Range: 0-50 °C  
Accuracy: +/- 1 °C
- Power Supplies:  
24... 30 Vdc or 24 Vac
- Outputs: 0 – 10 Vdc for Temp. & Rh.
- Independent Aux. Thermistor Sensor:  
Terminals available to mount such a sensor if required.
- Dimensions & IP Rating:  
Room IP34 105 x 85 x 42 mm.  
Duct. IP54 110 x 110 x 55 mm.

### Features

- **GHU/R** Wall or **GHU/D** Duct Mount Models
- Ranges:  
5...99% Rh.  
0...50 °C
- Outputs: 0 – 10 Vdc.
- Facility to fit separate , independent Temperature Sensor.
- Accuracy :  
+/- 3% Rh.  
+/- 1 °C
- Replaceable Rh Sensor filter.
- Attractive Ivory White Room Enclosures

### Model Selection, Electrical Diagram & Inst. Recommendations



Model	Type
GHU/R	Room
GHU/D	Duct

#### Installation Instructions

- Use screened cable, earthed at the control device. Use functional earth where possible.
- Follow anti-static precautions when handling.

The manufacturer reserves the right to make changes without prior notice