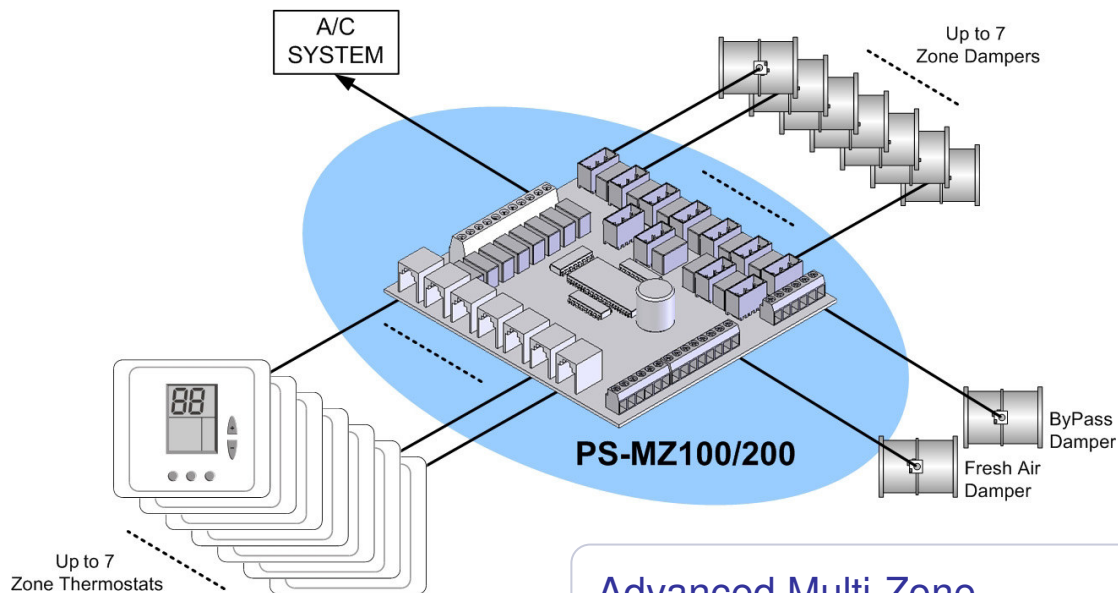


## Multi-Zone System – PS-MZ100/200



**Advanced Multi-Zone**  
climate control system- 24Vac and  
can control up to 4 or 7 zones

### General

The PS-MZ 100/200 is ideal for residential, commercial or industrial applications. It is compatible with Heat/Cool or Heat Pump HVAC applications and can control up to 4 (PS-MZ100) or 7 (PS-MZ200) different zones.

One of the zone serves also as the master, and different types of thermostats can be selected as zones. Zones can also be programmed for ON/OFF, ideal for times when the zone is less occupied.

All Inputs & outputs terminate at the main board. This together with features such as quick-connect telephone cables ensure that all installations are made as simple and as convenient as possible.

This reflects the overall ease of installation of what is a most efficient, cost effective climatic control system.

### Features

- Main Input - 24Vac
- Controls up to 4 zones (PS-MZ100) or 7 zones (PS-MZ200)
- Zone No. 1 thermostat also serves as the Master.
- Selectable system configuration- Heat/Cool or Heat pump
- Up to 5 stages of Heat and 5 stages of Cool
- Selectable Heat output- Electric or Oil/Gas (jumper selectable)
- Modes: Cool, Heat, Auto-change Over, Fan Only-selectable through Master (thermostat No.1) ONLY.
- T1- Indoor temperature sensor- option (for Fresh Air Damper)
- T2- Outdoor temperature sensor- option (for Fresh Air Damper)
- T3- Indoor Coil sensor (freeze protection in Cool and overheat protection in Heat)
- Output for dampers- On/Off, 3-wire, 24Vac
  - Zone dampers- On/Off, 3-wire
  - Fresh Air Dampers- 2 logics for open/close:
    1. by timer (min per hour) OR
    2. by temperature difference (T1-T2)
  - Bypass Damper (On/Off, 3-wire) output
- Display temperature available in C or F- depending on model ordered
- Economy mode (Unoccupied mode)
- Zone thermostats with weekly program- option depending on model ordered
- Weekly Program type- (5-1-1)- 4time/temp.periods/day.

## Master and Zone 1 M100

### Functions of thermostat as MASTER:

- Controls main system functions:
  - On/Off
  - Mode (Cool, Heat, Auto, Fan Only)
- Activate or de-activate Economy Mode (Unoccupied Mode)
- Set Fresh Air damper logic

### Functions of thermostat as ZONE 1:

- Local Fan
- Local set point
- Weekly program- option depending on thermostat ordered



Prog

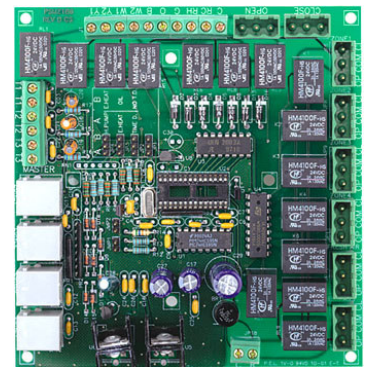


Non-Prog

## Main Board PS-MZ100 / 200

### General Features

- Main Supply- 24 Vac
- Up to 4 zones (PS-MZ100) or 7 zones (PS-MZ200)
- System Configuration selectable on the unit:
  - Heat/Cool, Heat Pump
  - Heat Output- electric Heat or Oil/Gas
- Multiple stages
- Bypass damper output (3-wire)
- Fresh Air Damper output with 2 options:
  - by timer (certain number of minutes per hour)
  - by temperature difference (T1-T2)
- 3 temperature sensors:
  - T1- indoor temperature sensor (Fresh Air Damper)
  - T2- outdoor temperature sensor (Fresh Air Damper)
  - T3- indoor coil sensor (freeze protection in Cool, overheat protection in Heat)
- Economy (Set Back) Mode available for all system



## Zone Z100

### General Features

- Set local On/Off status
- Set local set point
- Weekly program- option (depending on thermostat ordered)



Prog



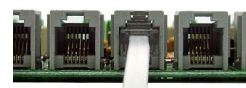
Non-Prog

## Cable Connection

The connection between the main board and the thermostat is made by telephone jack as shown, and the necessary cable is shown here.



Tel. Cable

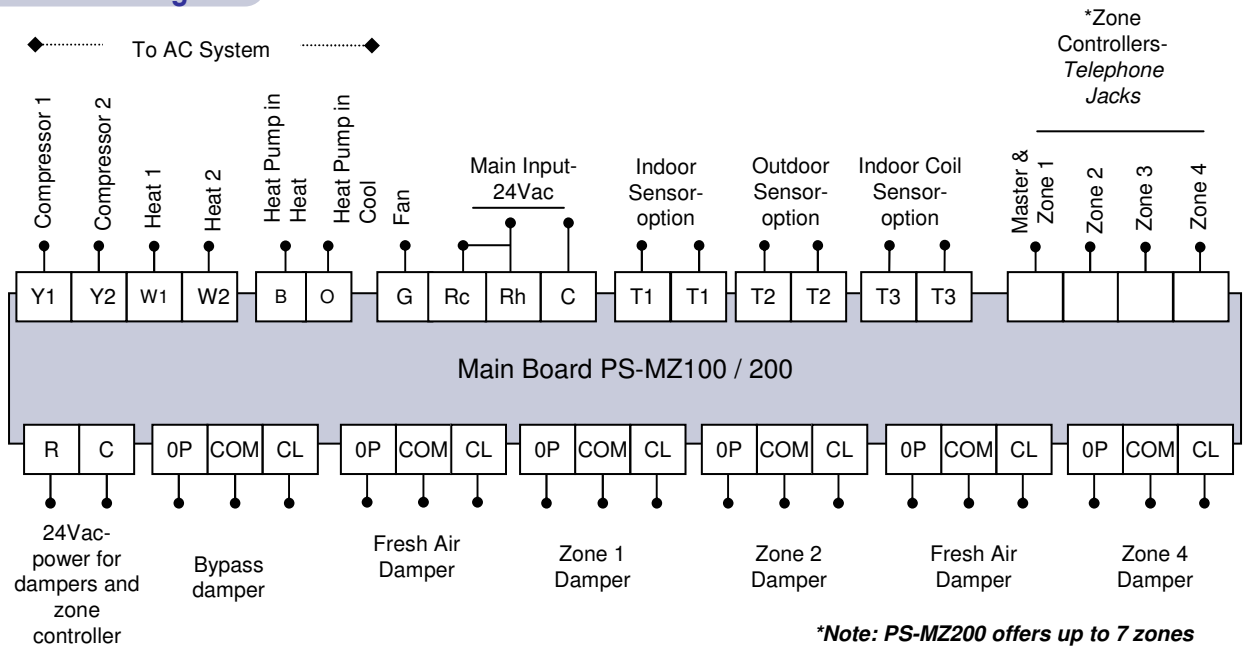


Main Board



Zone

## Electrical Diagram



## Components

<b>Main Board (1 required per system)</b>	PS-MZ100	Controls up to 4 zones
	PS-MZ200	Controls up to 7 zones
<b>Master &amp; Zone 1 (1 required per system)</b>	ETN-M100-C	Master & Zone controller, wall-mount, display in °C
	ETN-M100-F	Master & Zone controller, wall-mount, display in °F
	ETN-M100-Prog-C	Master & Zone controller with 5-1-1 program, wall-mount, display in °C
	ETN-M100-Prog-F	Master & Zone controller with 5-1-1 program, wall-mount, display in °F
<b>Thermostats for Zones</b>	ETN-Z100-C	Zone controller, wall-mount, display in °C
	ETN-Z100-F	Zone controller, wall-mount, display in °F
	ETN-Z100-Prog-C	Zone controller with 5-1-1 program, wall-mount, display in °C
	ETN-Z100-Prog-F	Zone controller with 5-1-1 program, wall-mount, display in °F

**Note: All Master and Zone thermostats are available in flush-mount models (FMT) as well.**