

Maxinet Software - Thermostats Network



Windows based software
For thermostats network

General

Windows TM based software to control the thermostat network – Maxinet System.

The Maxinet Software offers a practical way to manage thermostats with a simple click of the mouse!

Simplicity is the most appropriate word that drove our team in R&D and Marketing people to the Maxinet System.

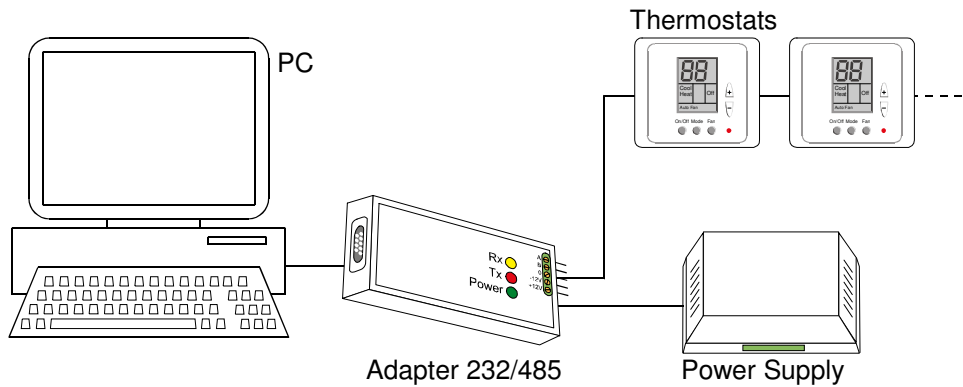
Very easy to monitor, control and make changes in the thermostats.

Very complete weekly program, history events and temperature graphs are some of the features of the revolutionary Maxinet Software.

Features

- One thermostat One icon, view clearly thermostat settings.
- Review each unit operating conditions.
- Easy change modes, set points with a MOUSE CLICK!
- History events and temperature graph for each or groups of units.
- Very details weekly program and special event program.
- Lock thermostats or limit the set points for each unit separately or groups.
- Logic divisions for Floors or Sections for different applications.
- When ordering software all accessories included (detail next page)

Wiring Connections



Main Screen

The screenshot shows the software interface with several callouts:

- Tool bar features:** Points to the menu bar (General, History, Programs, View, Add Chillers, Display, Help, About MaxiNet) and the 'General Details' window.
- View selection:** Points to the 'Display Options' window with radio buttons for 'Small Units', 'All Units View', 'Large Units', and 'Floors View'.
- Selection of floors or other division:** Points to the vertical list on the left showing 'Floor Roof', 'Floor 3', 'Floor 2', and 'Floor 1'.
- Thermostats:** Points to the grid of thermostat icons representing different units.
- Selection of different units:** Points to the 'Selected Units' list on the right, showing 'Floor 1: 9 8', 'Floor 2: 18 17', 'Floor 3: 24 23', and 'Floor/Floor: ETN2'.
- Parameters to change:** Points to the table of parameters for the selected units.
- Commands:** Points to the bottom control panel with icons for 'Send', 'Main', 'Menu', 'Close', and a question mark.

Status Kind	Current Status	New Status
On / Off	On	Off
Mode	Fan Only	Au. Chan
Fan / Auto	Auto Fan	Fan
Set Temp	26	26
Set Cool	28	27
Set Heat	25	25
TMin	20	26
TMax	25	30
Temp Ambient	28	

Accessories

All needed accessories are Included when purchasing software.

Part Number	Description
485/232	Adaptor RS232-RS485
Z032105	Molded Cable DB9M + 1.8m - Cable for Com connection
PS201P	Power supplier
MaxiNet CD	MaxiNet software