

TED24AUTOSUPER - 24 Vac Multi-Stage Display Thermostat



24 Vac Room Thermostat with LCD Display ideal for General Purpose Applications

General

The TED24AUTOSUPER is a universal display thermostats well suited to light commercial, residential or apartment applications. It can control a large variety of HVAC systems. The thermostat has outputs for cool / heat stages and for fan or auto fan selection.

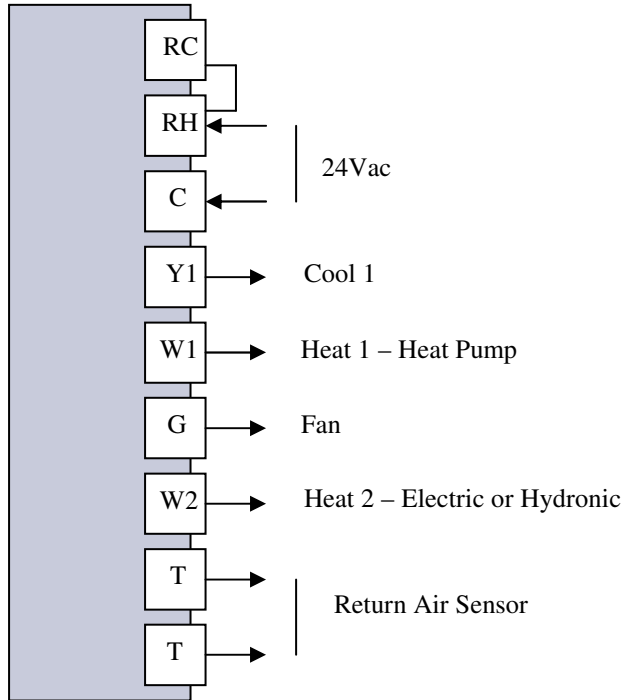
Features

- 24 Vac.
- Range 0 - 30°C
- Modes; Heat or Cool or Auto Heat / Cool.
- Up-to 1 Stage Cool & 2 Stage Heat
- Single Fan with Auto-Fan option
- Suitable also for Heat Pump Applications
- LCD display for ambient temperature and set point
- External sensor - option
- 4 Min. Time Delay on Cooling

Models

Control Option	Cooling Stages	Heat Pump Stages	Electric Heat Stages	Diffs. °C	Fan Speed
C/1S	1	--	--	1.0	1
HC11/1S	1	--	1	1.1	1
HP/1S	1	1	--	1.1	1
HP21	1	1	1	1.1	1

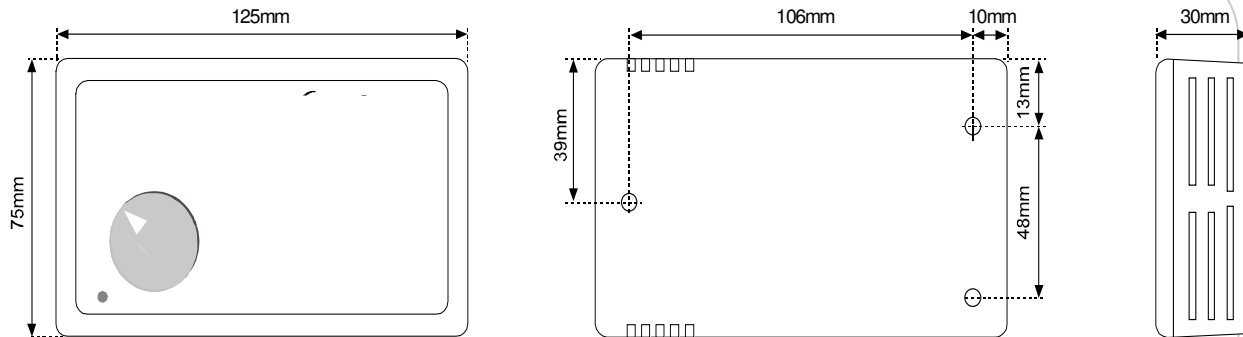
Electrical Diagram



Specifications

Temp. Range	10° - 30°C
Weight	0.150 Kg
Scale	°C
Color	White
Accuracy	±1°C
Plastic	PC/ABS
Flammability	UL94V-0
Temp. Input	Thermistor 50K@25°C

Dimensions



Accessories

The manufacturer reserves the right to make changes without prior notice.

Part Number	Description
TS01	Temperature Sensor - 80 cm Cable
RS01	Temperature Sensor - Room
RS02	Average Temperature Sensor - Room
WP1	Decorative back plate for TED thermostat series